

Bonded Washer Seals German Metric Size Guide

ALT. REF	A +0.13 -0.00	B +0.10 -0.10	C +0.10 -0.10	D +0.25 -0.00	E +0.10 -0.10	F +0.20 -0.20		
201	7.20	5.20	4.10	0.30	1.00	-		
202	7.00	5.40	4.50			3.40		
203	9.00	6.80	5.70			4.50		
204	10.00	7.40	5.70			4.50		
205	9.20	7.20	6.20			4.70		
206	10.00	8.00	6.70			4.70		
207	11.00	8.20	6.70			4.70		
210	10.20	8.60	7.30			5.77		
212	13.00	10.00	8.70			6.40		
213	14.00	10.40	8.70			6.40		
215	13.30	10.50	9.30			6.90		
216	15.88	12.00	10.35			0.40	2.00	8.56
217	16.00	12.40	10.70				8.05	
218	18.00	12.40	10.70				8.05	
219	16.30	12.70	11.40				9.80	
221	19.10	13.50	11.80	9.80				
222	18.00	14.30	12.70	9.73				
223	20.00	14.40	12.70	9.73				
225	22.00	15.40	13.70	10.80				
226	18.70	15.70	14.00	11.30				
227	22.00	16.40	14.70	11.38				
229	24.00	18.40	16.70	13.41				
230	24.00	19.20	17.40	13.08				
231	24.70	20.10	18.00	13.60				
232	26.00	20.40	18.70	14.76				
233	28.00	22.50	20.70	16.76				
234	28.70	23.30	21.50	0.40	2.50	17.80		
236	30.00	24.40	22.70		18.74			
238	32.00	26.40	24.70		20.11			
239	35.00	28.40	26.70		22.30			
240	36.00	29.00	27.20		23.30			
242	39.00	33.00	31.00		25.70			
243	42.00	35.80	33.70		28.70			
244	43.00	36.40	34.30		28.70			
245	46.00	38.80	36.70		31.10			
246	51.00	41.90	40.00		2.50	34.10		
247	53.00	44.40	42.70		3.00	36.50		
248	59.00	50.80	48.70		3.00	41.90		
250	64.50	56.40	89.09		3.25	-		
254	101.35	92.10	89.09		3.25	-		

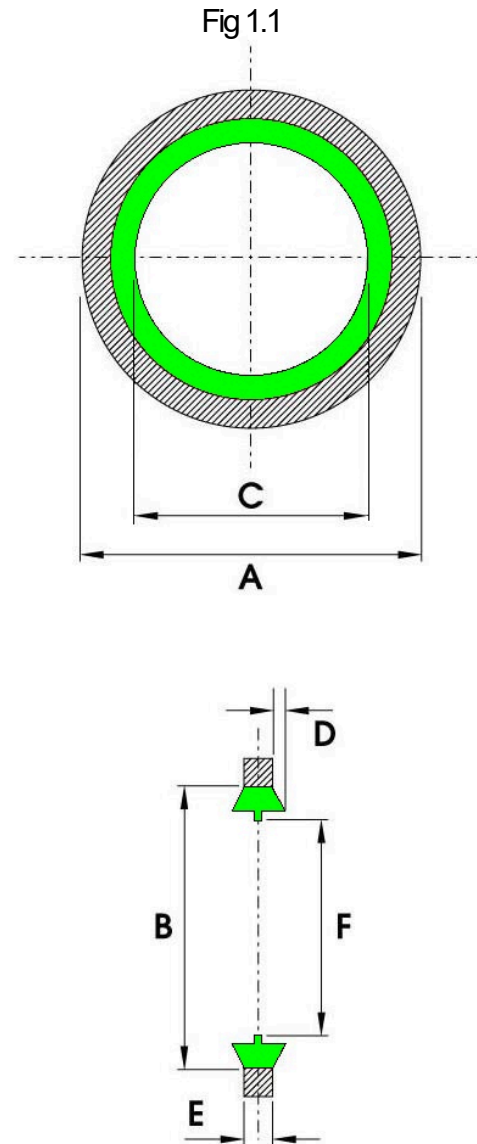


Fig 1.1. How to measure for a bonded seal. Please also refer to table for required size.

Note: There is a permitted moulding flashline on the inner diameter "C".
 All dimensions in mm in accordance with AGS1186.