

Bonded Washer Seals Imperial Size Guide

ALT. REF.	SIZE		A +0.13 -0.00	B +0.10 -0.10	C +0.10 -0.10	D	E +0.15 -0.15	F +0.20 -0.20
	BSP	BOLT						
001	-	6BA	6.35	4.09	3.05	0.20/ 0.45	1.22	-
002	-	4BA	7.26	5.26	4.12			-
003	-	2BA	8.38	6.35	5.21			-
004	-	1/4	13.21	8.00	6.86			4.70
005	-	1/4	13.34	9.53	6.99			4.70
006	-	5/16	13.34	9.53	8.31			6.10
007	-	5/16	14.22	10.04	8.64			6.10
020	1/8	3/8	15.88	11.84	10.37	0.25/ 0.51	8.56	
008	-	0.4	18.36	12.45	11.26		8.56	
009	-	7/16	19.05	13.08	11.69		8.80	
021	1/4	1/2	20.57	15.21	13.74		11.45	
010	-	9/16	22.23	16.39	14.86		11.58	
022	-	0.6	22.23	17.30	15.83		12.10	
011	-	5/8	25.40	18.75	16.51		12.90	
023	3/8	-	23.80	18.75	17.28		14.96	
012	-	11/16	25.40	19.69	18.16		14.50	
024	-	3/4	26.92	21.21	19.69		15.80	
025	1/2	13/16	28.58	23.01	21.54		2.00	18.64
026	5/8	7/8	31.75	24.97	23.49		2.50	20.60
013	-	15/16	33.27	26.04	24.26			20.20
027	3/4	1.0	34.93	28.53	27.05			24.13
028	-	1.1/16	38.61	30.61	27.82	22.90		
014	-	1.1/8	36.58	30.86	29.33	23.90		
031	1.0	1.5/16	42.80	36.88	33.89	0.25/ 0.51		30.30
029	7/8	1.3/16	38.10	32.29	30.81	27.89		
5	-	1.1/4	41.40	35.69	32.64	3.38		27.10
030	1.0	1.5/16	42.80	36.88	33.89	2.50		30.30
016	-	1.3/8	44.45	38.99	35.94	3.38		29.50
017	-	1.1/2	47.75	42.04	38.96		32.70	
032	1.1/4	1.5/8	52.38	45.93	42.93	2.50	38.96	
018	-	1.3/4	57.15	48.39	45.34	3.38	37.90	
033	1.1/2	1.7/8	58.60	51.39	48.44	2.50	44.86	
019	-	2.0	63.50	54.74	51.69	3.38	43.60	
034	1.3/4	2.1/8	69.85	58.30	54.89		50.80	
036	2.0	-	73.03	63.63	60.58	2.50	56.67	
037	-	2.1/2	77.72	67.44	64.39	3.38	55.40	
038	2.1/4	-	79.50	69.98	66.68		65.80	
039	2.1/2	-	90.17	79.38	76.08		72.20	
079	3.0	-	101.47	92.84	89.09		85.00	

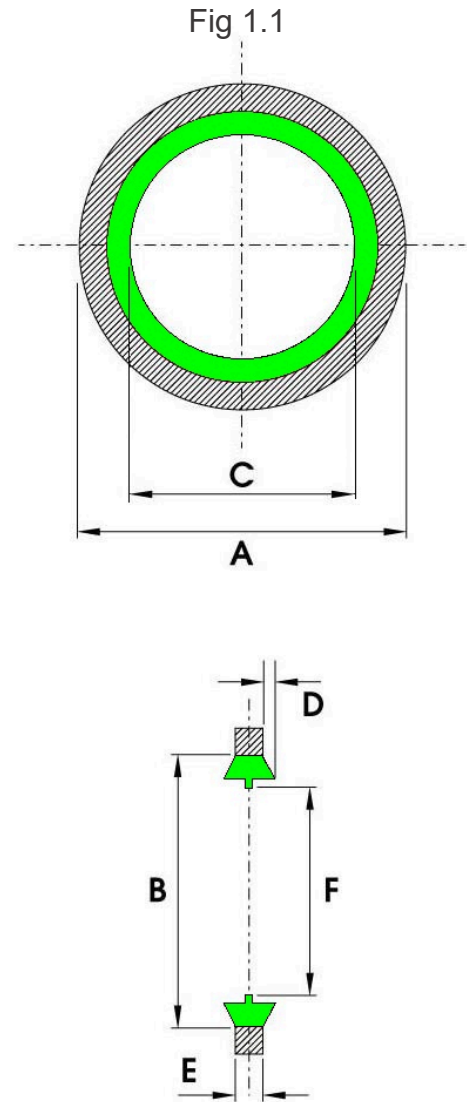


Fig 1.1. How to measure for a bonded seal. Please also refer to table for required size.

Note: There is a permitted moulding flashline on the inner diameter "C", all dimensions in mm in accordance with AGS1186.

